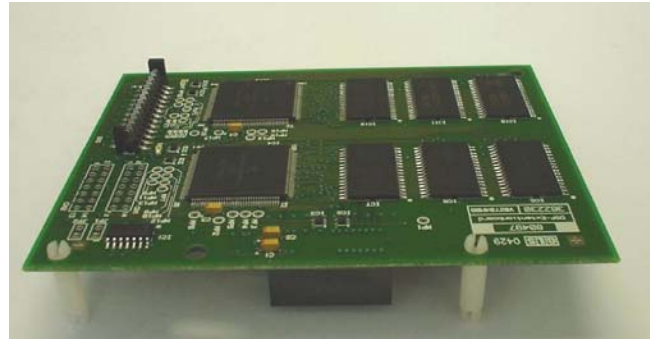




Key Features:

- **300 MIPS computing capacity** – doubles the DSP power of a NetMax System Controller.
- **2 RAM banks (512k x 24 Bit)** – allow for additional delay lines up to 21.8 seconds.
- **48 Bit signal processing** – Double Precision DSP algorithms.
- **Automatic Configuration** – signals whether a new module has been inserted or an installed one has been removed.



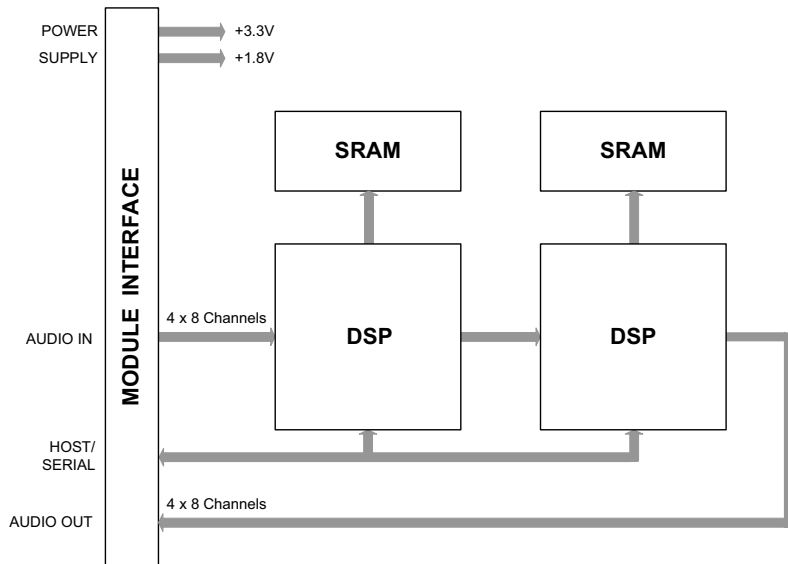
General Description:

The DSP-1 is a DSP Extension Module for the NetMax System Controller. The module provides additional DSPs for extending the signal processing capacity and RAM banks for the realization of longer delay times or additional delay lines.

Technical Specifications:

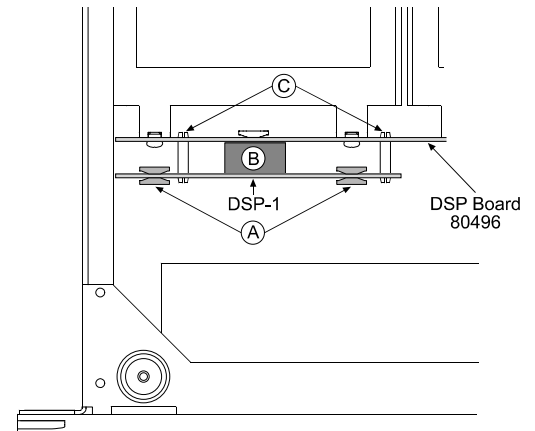
Supply Voltage / Current	+3.3 V DC, ±0.3 V / 200 mA +1.8 V DC, ±0.18 V / 200 mA
Sample Rate	48 kHz
Data Format	48 Bit processing
Processing Power	300 MIPS
Memory	2 x 512k x 24 Bit SRAM / 21.8 s max. delay
Signal Delay	0.125 ms
Operating Temperature Range	0 °C ... 40 °C
Dimensions (W x H x D)	110mm x 20mm x 82.5mm 4.33" x 0.79" x 3.25"
Weight	45 g (0.10 lb)

Block Diagram:

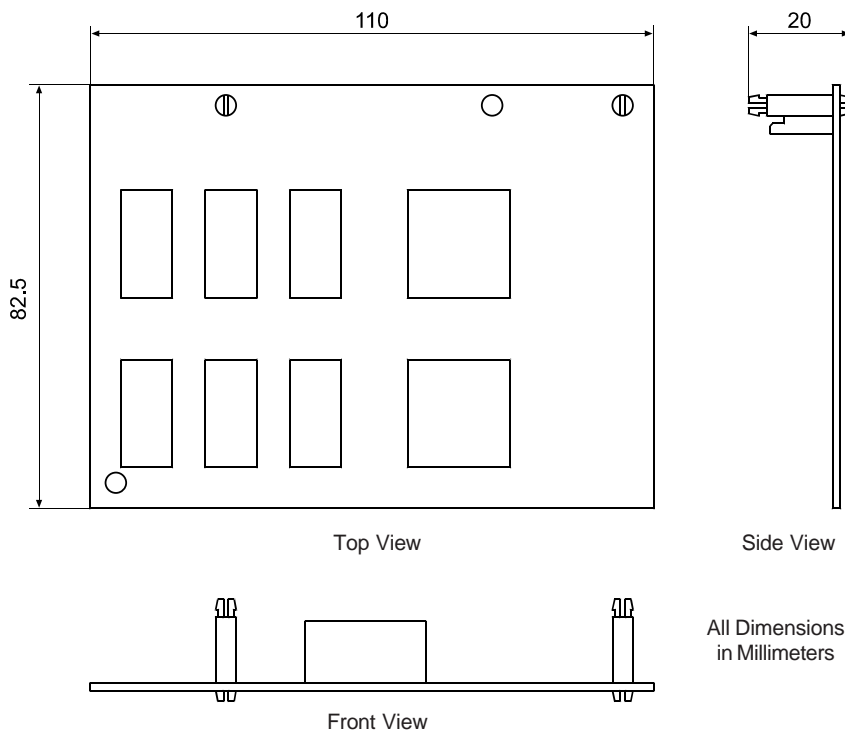


Installation:

1. Turn off power of the unit and pull mains plug
2. Remove cover plate (6 screws on the sides, 3 screws on top, 4 screws on the rear)
3. Install the DSP-1 module (see diagram). Place the module in the guiding on the bottom plate (A), connect the plug to the appropriate socket (B) and insert the plastic spacers into the mounting holes (C)
4. Reinstall the cover plate
5. Plug in the mains cord and turn the unit's power on.
6. The N8000 automatically recognizes the DSP-1 module. No further configuration required



Dimension Drawings:



DSP-1 Part Number:
DSP-1 -- D170328

EV Electro-Voice®

12000 Portland Avenue South, Burnsville, MN 55337
Phone: 952/884-4051, Fax: 952/884-0043

www.electrovoice.com

© Telex Communications, Inc. 1/2006
Part Number LIT-0000XX Rev 1

U.S.A. and Canada only. For customer orders, contact Customer Service at:

800/392-3497 Fax: 800/955-6831

Europe, Africa, and Middle East only. For customer orders, contact Customer Service at:

+ 49 9421-706 0 Fax: + 49 9421-706 265

Other International locations. For customer orders, contact Customer Service at:

+ 1 952 884-4051 Fax: + 1 952 736-4212

For warranty repair or service information, contact the Service Repair department at:

800/685-2606

For technical assistance, contact Technical Support at: **866/78AUDIO**

Specifications subject to change without notice.